



INSTALLATION INSTRUCTIONS

Accessory

PASSENGER ARMREST
P/N 08R70-MKC-L00

Application

GL1800/B/BD/D

Publication No.

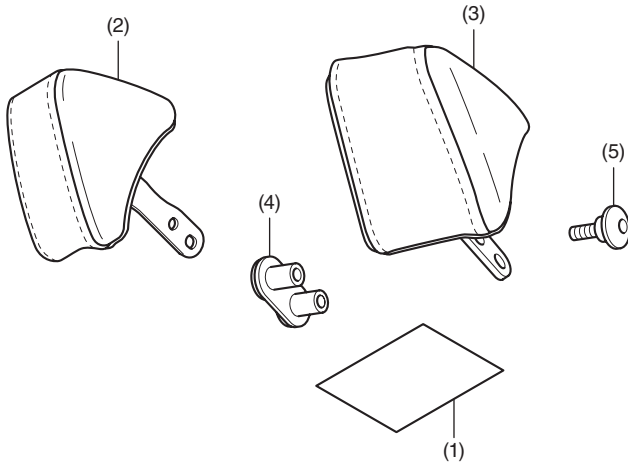
MII

Issue Date

January 2021

Honda Dealer: Please give a copy of these instructions to your customer.

PARTS LIST



No.	Description	Qty
(1)	Installation instructions URL	1
(2)	Right armrest cushion	1
(3)	Left armrest cushion	1
(4)	Plate nut	2
(5)	6 mm screw	4

TOOLS REQUIRED

Hex wrench (5 mm)

Torque wrench

TORQUE CHART

Tighten all screws, bolts, and nuts to their specified torque values. Refer to the Service Manual for the torque values of the removed parts.

Item	N·m	kgf·m	lbf·ft
6 mm screw	9	0.9	6.5

INSTALLATION

▲ CAUTION

- To prevent burns, allow the engine, exhaust system, radiator, etc., to cool before installing the accessory.

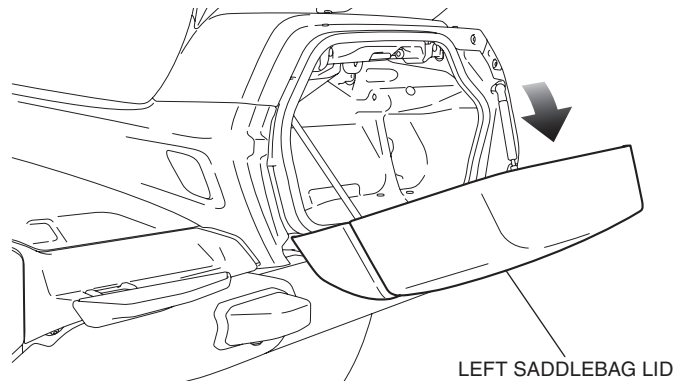
NOTE:

- Disconnect the negative (-) cable from the battery before installing this accessory.
- The memories of the clock will be erased when you disconnect the battery. Reset the memories after reconnecting the battery.
- Reinstall the removed parts on the motorcycle and make sure that the wires and harnesses are not pinched.

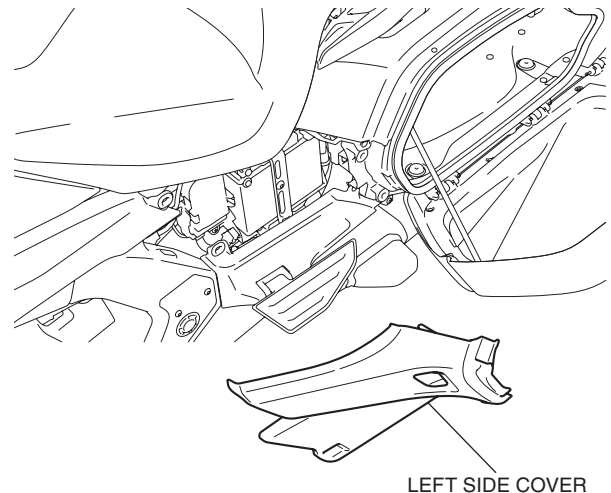
- Open the left saddlebag lid as shown.

- Repeat on the right side.

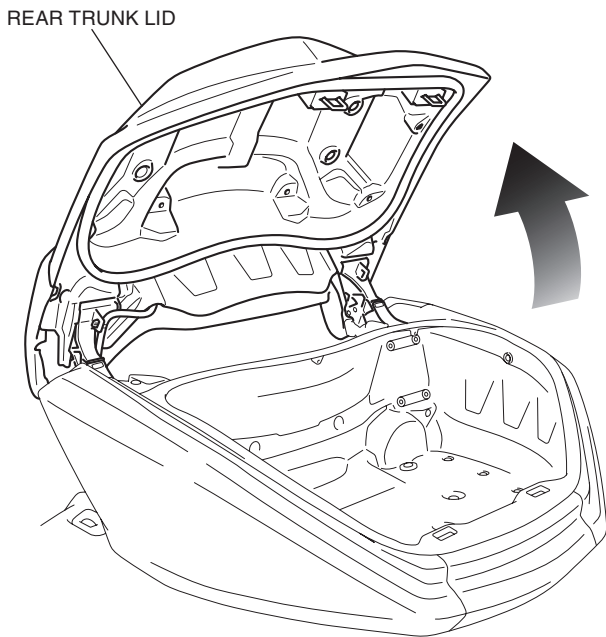
<Left side>



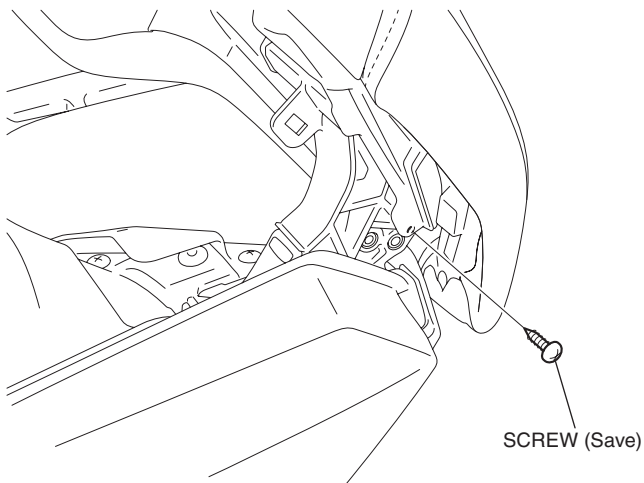
- Remove the left side cover as shown, and disconnect the negative (-) cable of the battery.



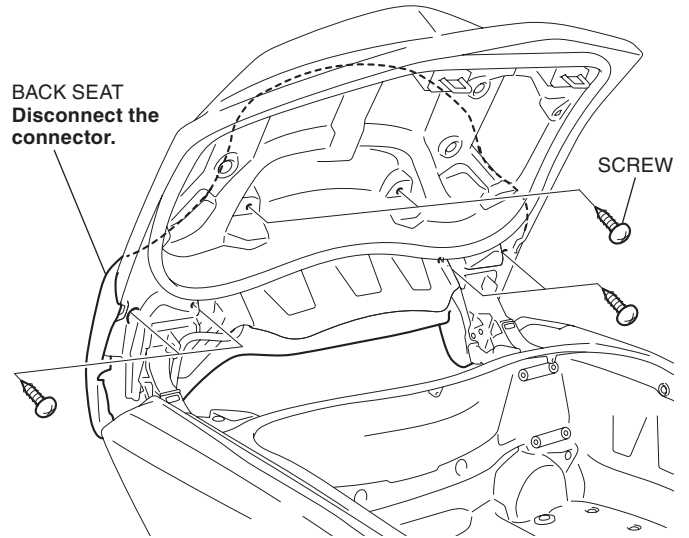
3. Open the rear trunk lid as shown.
- Refer to the Owner's Manual and using an emergency trunk cable to open the rear trunk lid.



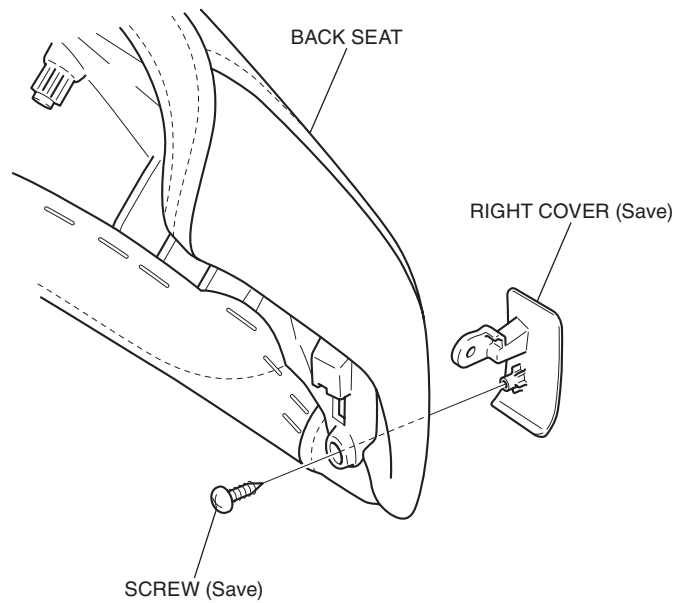
4. Remove the screw as shown.
- Repeat on the left side.
- <Right side>



5. Remove the back seat as shown.

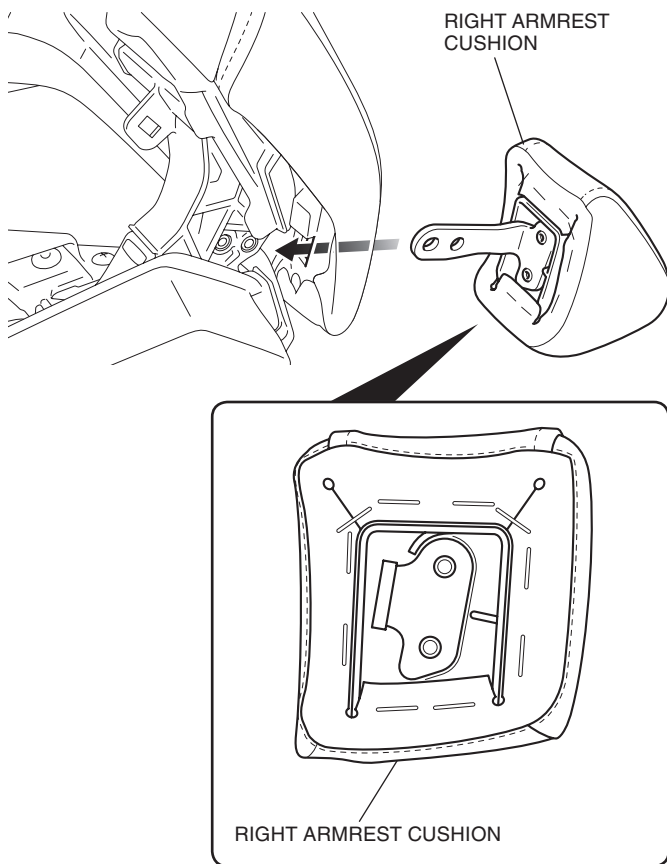


6. Remove the right cover as shown.
- Repeat on the left side.

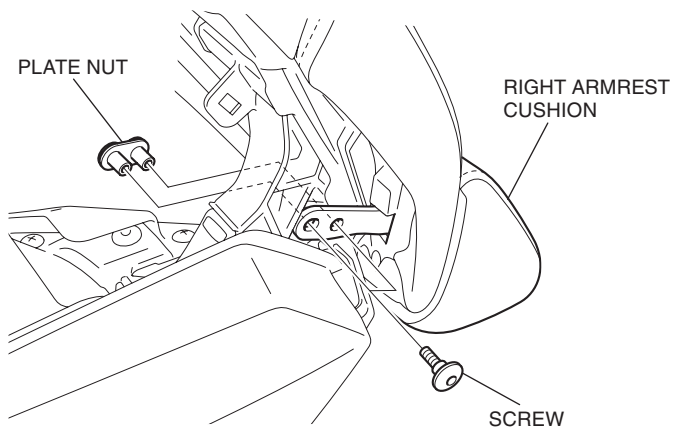


7. Install the back seat reverse order of removal.
8. Install the right armrest cushion as shown.
 - **Match the thread colors of back seat and right armrest cushion.**

<Right side>



9. Install the plate nut as shown.



10. Install the left armrest cushion in the same manner as the right side.
11. Install the motorcycle's parts in the reverse order of removal.
 - **Confirm that any wire harness is not caught or too tight.**